

AÉROWING GATE



AéroWing - One of a Kind

When it comes to harmonious integration into elegant environments, the T2 AéroWing Gate is an objet d'art. Its inherent simplicity showcases not only its unique airy T-shaped design, it epitomizes as well the lightweight essence. Vibrant LED lights, leading verification technologies, and standard safety measures are all in place to ensure a pleasant authentication process, guiding users to authorized areas while offering an aesthetic appeal.



Scope of Application



PS: within the height range

Idea for: data centers / corporate offices / multistory buildings / educational institutions / financial institutions



Support

Temperature Check



Facial Recognition



Palm Vein



13.56MHZ



Scramble QR Code

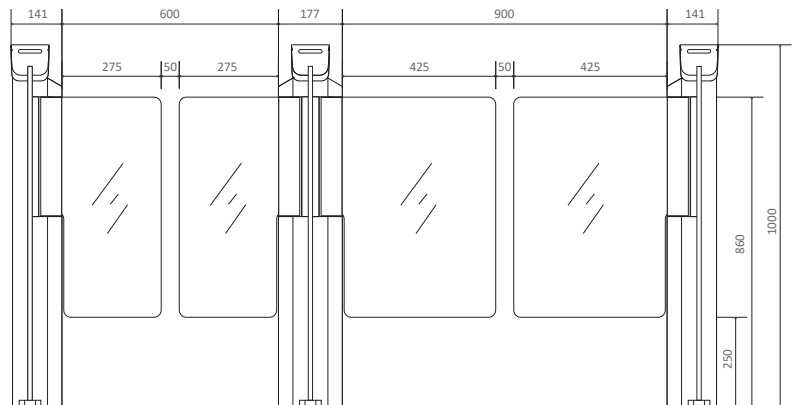


Octopus



Specifications

• Model	T2
• Cabinet Material	AISI#304
• Usage	Indoor only
• Size	1800*177*1000 (mm)
• Obstacle Material	8mm tempered glass
• Width	600mm / 900mm



Highlights



9 dual-direction control modes



LED lights status / direction indication



Advanced protection to prevent electrical leakage, pinching, and collision



Remote control and configuration, user interface personalization



High detection accuracy using laser sensor



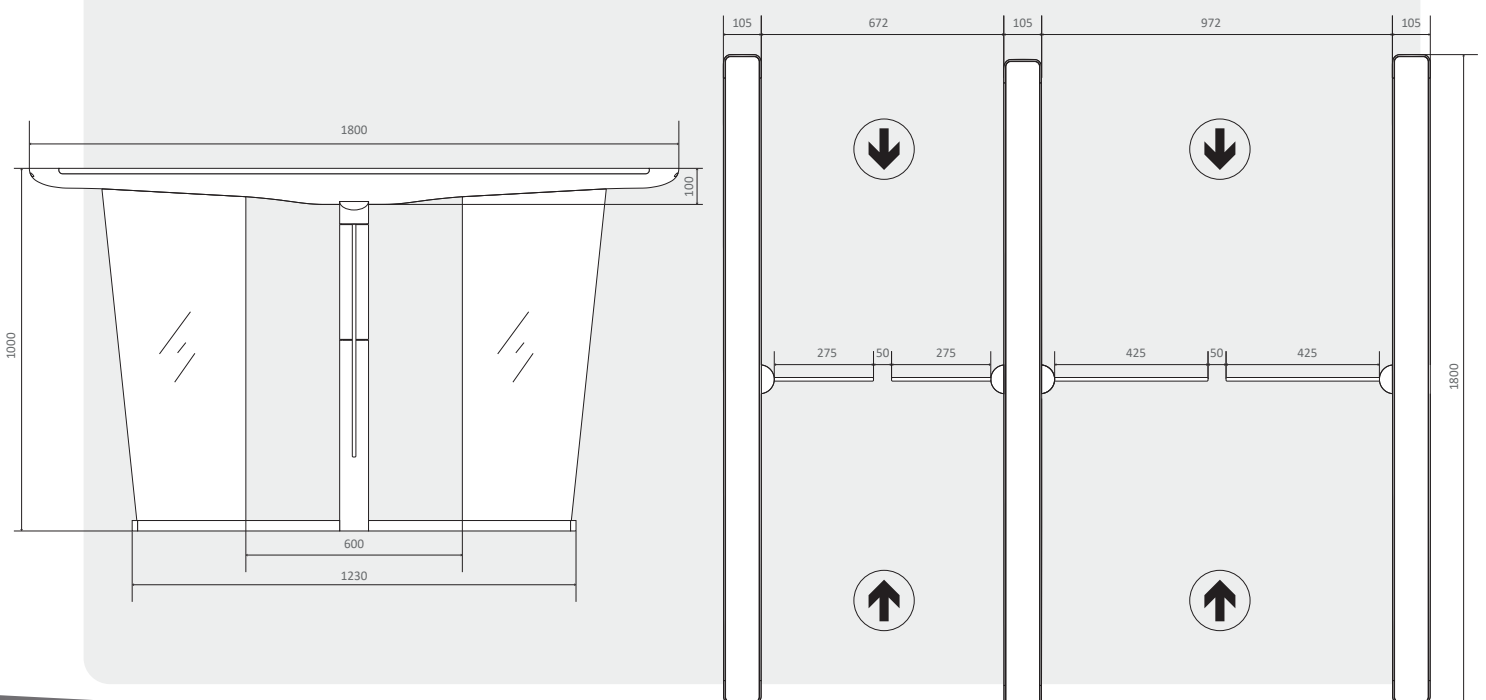
2D laser module: ground-level safety sensor for child-friendly passage



Standard external electrical interface, with photoelectric safety isolation



Enhanced anti-tailgating design



Customization

- Colour spray or electroplating appearance
- Gate length: 1800mm (standard) / 1600mm
- Matte (standard) metal surface
- Obstacle length / height / printed pattern
- Printed pattern in card area
- Biometric authentication methods
- Flooring panels during installation (floor slotting not required)



