

## Thermal and Facial Recognition Detector

Professional Design for Turnstile Access Control System



Temperature



Mask On



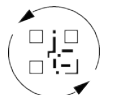
Facial



Palm Vein



Access Card

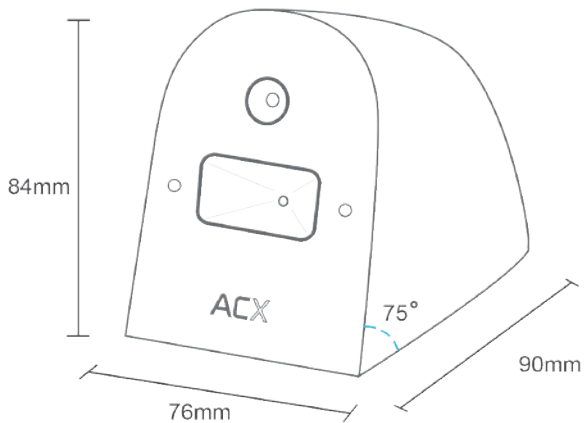


Scramble QR

# Setting the New Safety Standard

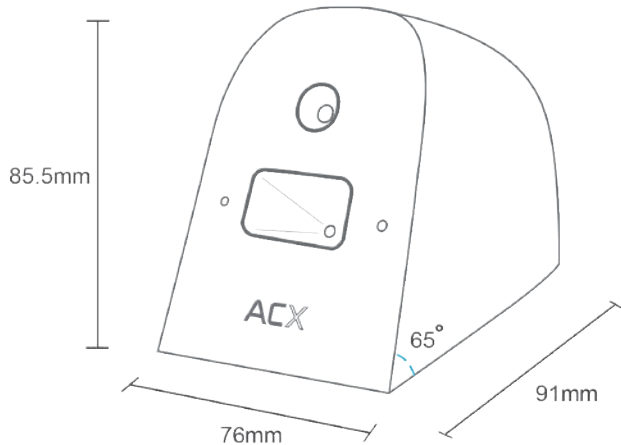
Throughout the COVID-19 pandemic, a key priority for public areas has been determining the specific public health actions to minimize the risk of COVID-19 transmission among the community. As the COVID-19 outbreak continues to evolve, ACX has been invented 2088, 2089 and 2098 thermal screening, face mask detection and facial recognition devices to avoid infection spread by checking automatically whether passengers are wearing mask and having normal temperature without physical contact in 1 second, setting the new safety standard for workplace and public areas.

## Product Overview



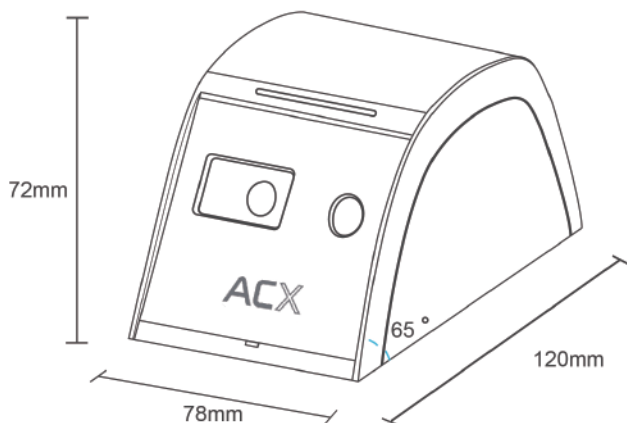
### 2088 Thermal Camera

- 75 degrees surface to ground
- Suitable for 1.6M to 1.9M length turnstile



### 2089 Thermal Camera

- 65 degrees surface to ground
- Suitable for 1.2M to 1.6M length turnstile



### 2098 Thermal and Facial Recognition Detector

- 65 degrees surface to ground
- Suitable for 1.2M to 1.9M length turnstile

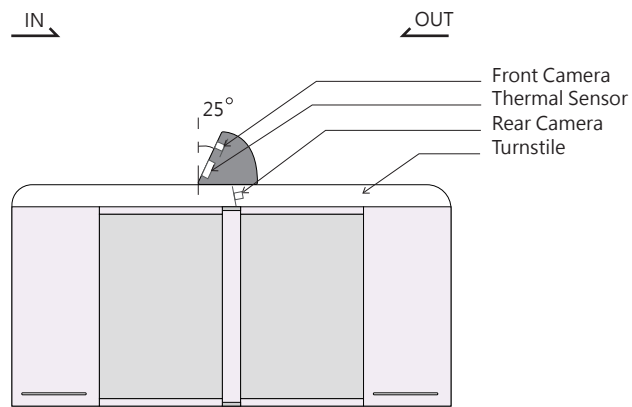
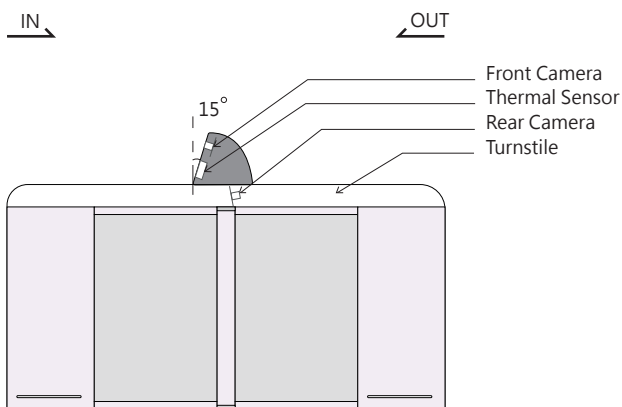
# Thermal Screening, Face Mask Detection and Facial Recognition



2088



2089



Thermal camera can be integrated with turnstile control system for facial recognition.

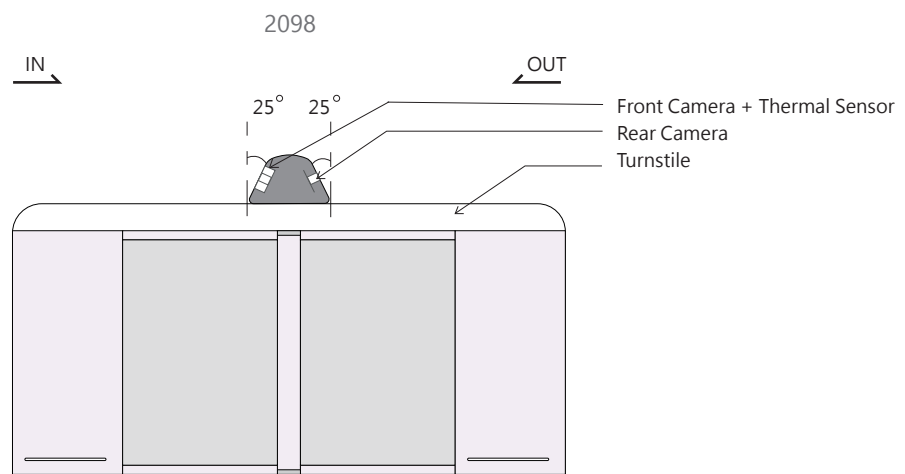
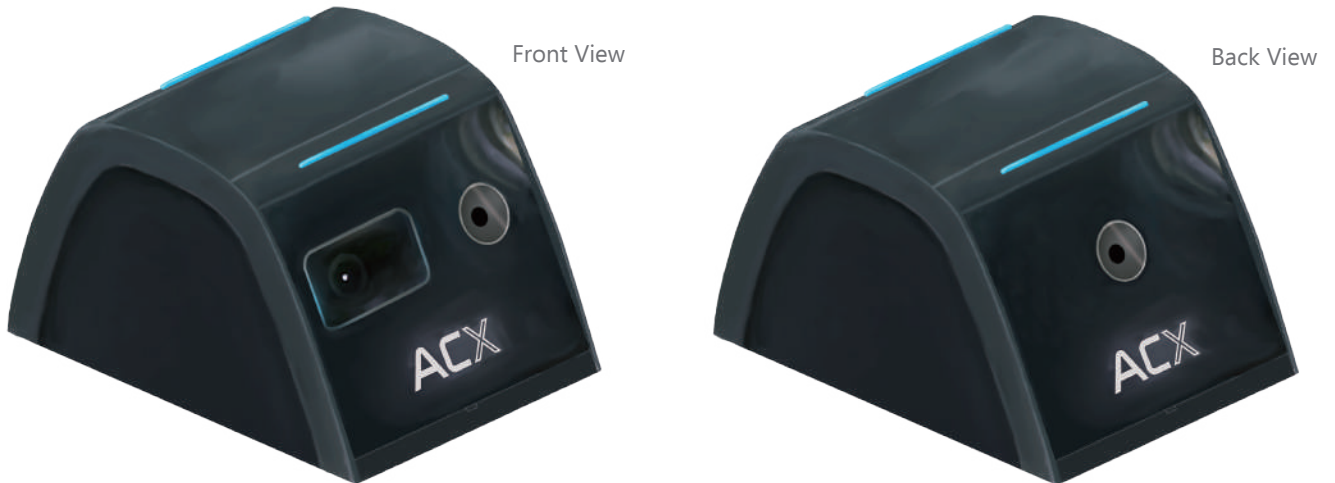
## HIGHLIGHTS AND FEATURES

- Temperature measurement and face mask detection
- Supports facial recognition
- Scanning Range up to 3 meters
- Built-in black body leads to an increase in the temperature accuracy level  $\pm 0.3^{\circ}\text{C}$
- Superior low-light performance
- Auto black level calibration
- Suitable for wheelchair access

## SPECIFICATION

- Face++ / SenseTime Facial Recognition Technology
- Temperature measurement time within 100ms, within 400ms wearing mask
- Facial recognition accuracy  $\geq 99\%$
- Mask detection accuracy  $\geq 99\%$
- Supports facial recognition with face mask

# Thermal and Facial Recognition Device



Built-in rear camera for avoiding reflected glares under any lighting condition.

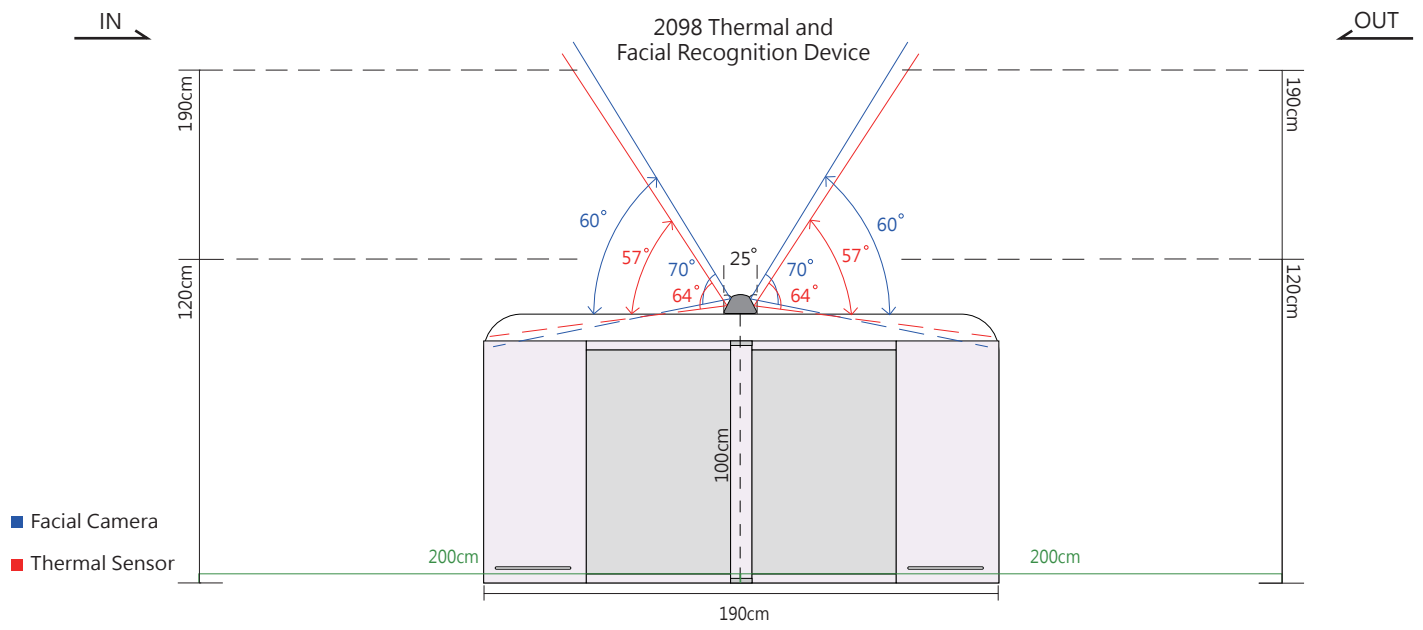
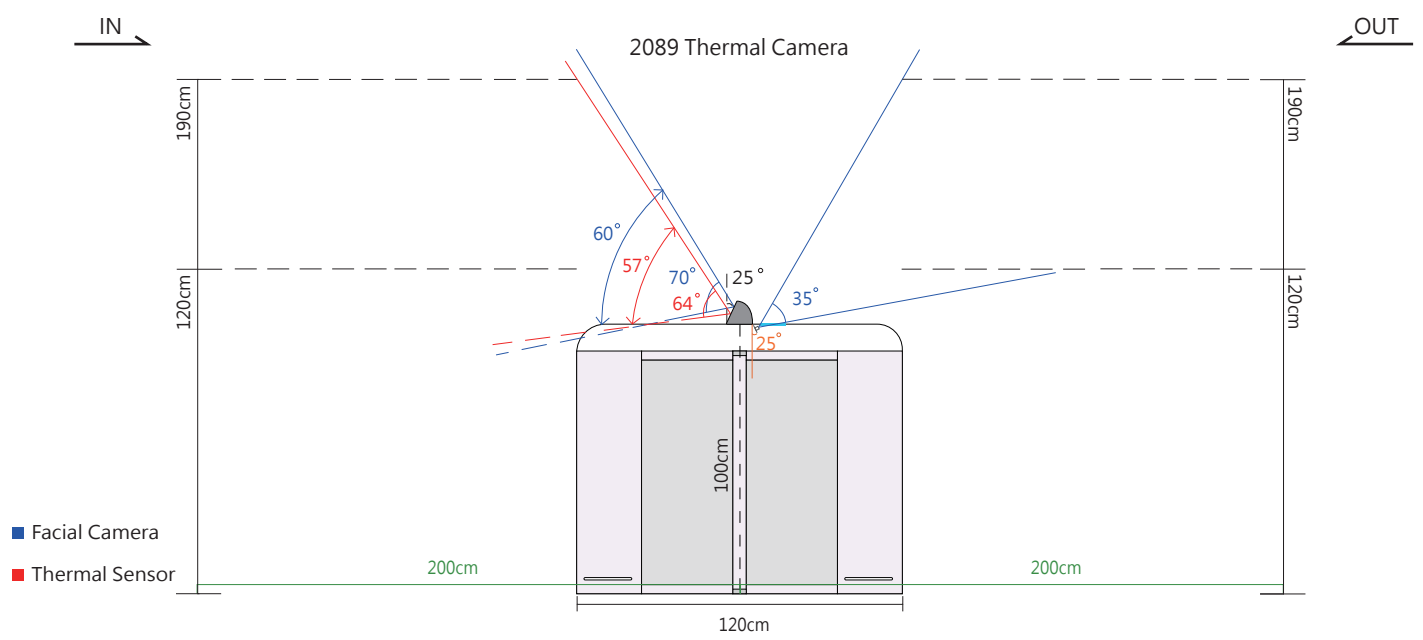
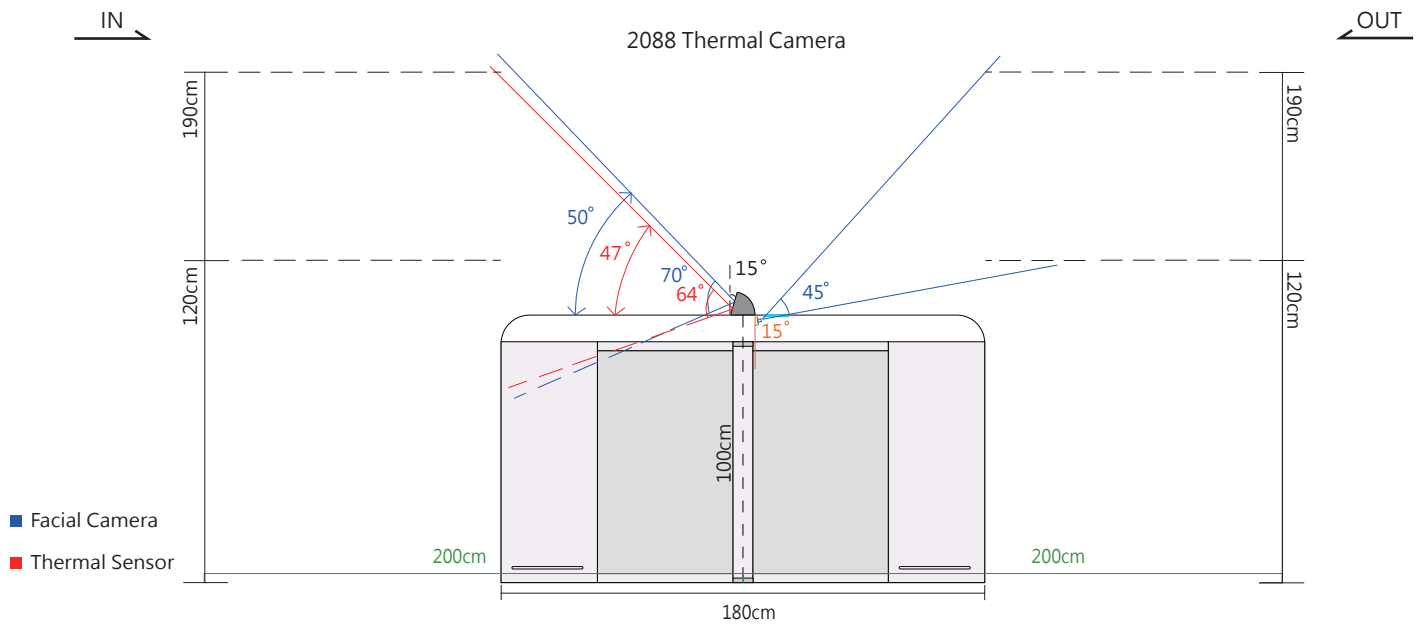
## HIGHLIGHTS AND FEATURES

- Temperature measurement and face mask detection
- Supports facial recognition
- Built-in rear camera for solving lighting problem
- Scanning Range up to 3 meters
- Built-in black body leads to an increase in the temperature accuracy level  $\pm 0.3^{\circ}\text{C}$
- Superior low-light performance
- Auto black level calibration
- Suitable for wheelchair access

## SPECIFICATION

- Face++ / SenseTime Facial Recognition Technology
- Temperature measurement time within 100ms, within 400ms wearing mask
- Facial recognition accuracy  $\geq 99\%$
- Mask detection accuracy  $\geq 99\%$
- Supports facial recognition with face mask

# Working Principle



**ACX**

[www.acxhk.com](http://www.acxhk.com)